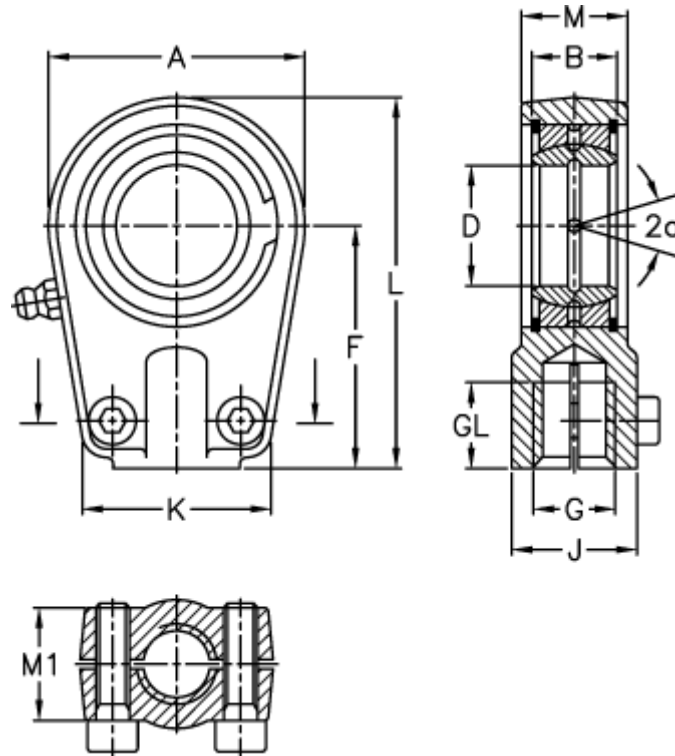


Article number: 03553120

Description: Fluro hydraulic rod end FPR 120U

Measures



A	= 340	J	= 172
a (degrees)	= 6	K	= 300
B	= 85	L	= 490
D	= 120	M	= 90
Dynamic load C (kN)	= 950	M1	= 84
F	= 310	Static load C0 (kN)	= 2900
g	= M130x3	Torque (N m)	= 710
GL	= 135	Weight	= 78000